



⚡ 175–375 W Electrical heat

6 models

CE

## Bench heater SH

Bench heater for good heating comfort in churches etc.

### Application

Bench heater SH is designed for use with church pews, waiting room benches and the like. The bench heater is installed under the seat and distributes heat in the occupied zone through convection and radiant heat.

### Comfort

The heaters are dimensioned to produce a pleasant heat on the actual seat surface and to the surroundings. In churches visitors experience good heating comfort, at the same time as power consumption and drying of inventories is kept to a minimum.

### Operation and economy

As heat is produced as soon as the heater is switched on, SH is also an ideal and efficient option in slowly heated buildings such as churches. Only heating the building when necessary helps to keep down heating costs.

### Design

Bench SH has a discreet design especially adapted to fit under benches and seats.

### Product specifications

- Dual reflectors (external and internal) give downward heat dispersion.
- Approved for serial connection.
- Brackets for mounting are included.
- Equipped with protection grille and tube element of stainless steel.
- Outer reflector is of zinc-plated steel panels and the heater is grey lacquered. Colour: NCS 4000, RAL 7036 (grey).

## Technical specifications | Bench heater SH ⚡

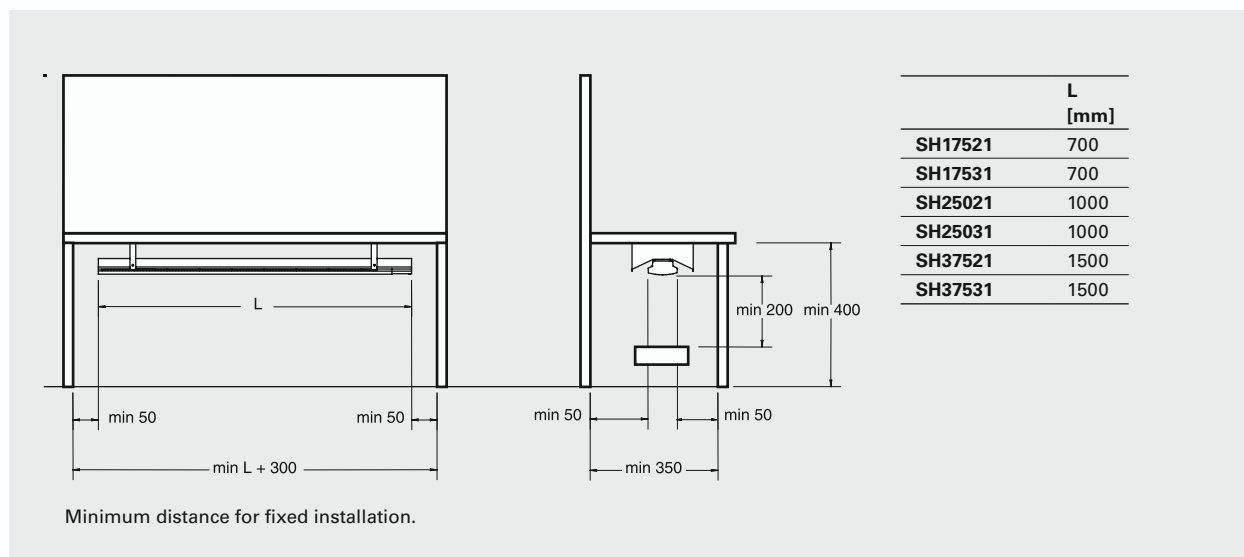
Type	Output [W]	Voltage [V]	Amperage [A]	LxH*xW [mm]	Weight [kg]
SH17521	175	230V~	0,8	700x110x200	1,4
SH17531	175	400V~	0,4	700x110x200	1,4
SH25021	250	230V~	1,1	1000x110x200	1,9
SH25031	250	400V~	0,6	1000x110x200	1,9
SH37521	375	230V~	1,6	1500x110x200	2,9
SH37531	375	400V~	0,9	1500x110x200	2,9

\*) With brackets

Protection class: IP21.

CE compliant.

## Dimensions



## Mounting and connection

### Mounting

Bench heater SH is installed horizontally underneath benches. For minimum dimensions with permanent installation, see the diagram above.

### Electrical installation

Bench heater SH is intended for permanent installation and is approved for through-wiring. Connection and serial connection of SH is done with a maximum cable of 4x2.5 mm<sup>2</sup> + earth.

## Controls

A programmable electric heating regulator should be used to control heating in churches and similar premises. The premises can be divided up into temperature zones, which are individually regulated and adapted to the characteristics of the building and the comfort of the visitors. For further options, see section on thermostats and controls or contact Frico.